

ROBUS®

SURFACE FITTING

HAWK LED

10W, 14W, 25/35W, IP65



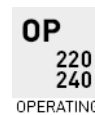
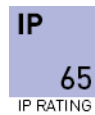
PRODUCT INFORMATION DOCUMENT

FEATURES

- Available in standard and emergency versions. Integral sensor, dual or 3 step light level control and DALI or Analogue dimming for Daylight Harvesting options are available
- A high security, anti-tamper companion to the EAGLE range
- Wide operating ambient temperature range of -20°C to +35°C
- Complies with requirements of the ECA. Enhanced Capital Allowances may be claimed on the cost of the luminaires, installation and transport to site

CONSTRUCTION

- Polycarbonate body, trim and opal diffuser with impact rating of IK10
- Aluminum, hinged gear tray
- High quality, long life SMD LED's
- Stainless steel TORX T20 screws



Product Code:	RHKM01040-01	RHKM01540-01	RHKLDP40-01
Standard	RHKM01040E-01	RHKM01540E-01	RHKLDP40E-01
Emergency	RHKM01040-01SEN	RHKM01540-01SEN	
Microwave Sensor	RHKM01040E-01SEN	RHKM01540E-01SEN	
Emergency & Sensor			
Comparable to:	28W 2D	38W 2D	55W/ 2x38W 2D
Total Power (W):	9.6	12.7	21.4/34.4
Power Factor:	0.95	0.95	0.97
Total Light Output (lm):	1050	1400	2340/4020
Total Emergency Light Output (lm):	120	210	250/310
Efficacy (lm/ccW):	109	110	109/117
Lux at 1m (lux):	340	450	780/1330
Emergency Lux at 1m (lux):	50	80	85/100
CCT (K):	4000	4000	4000
CRI:	80	80	80
IP:	65	65	65
Operation Temperature (°C):	-20 ≤ Ta ≤ +35	-20 ≤ Ta ≤ +35	-20 ≤ Ta ≤ +35
Inrush Current:	50Amax/2us	50Amax/2us	16A/10ns
RG Value:	0	0	0
SDCM:	<6	<6	<6
P _{ST} LM:	NA	NA	NA
SVM:	NA	NA	NA
Energy Class:	C	C	C
Rated Life to L70B50 (Hrs):	50000	50000	50000
Dimensions ØxH (mm):	330x91	330x91	420x91
Weight (kg):	1.28/1.54	1.28/1.54	1.56/1.82

Separate Control Gear Information			
Type of Light Source:	LED	LED	LED
Full Load Efficiency (%):	78	84	85
P _{NET} (W):	NA	NA	NA
Dimensions (mm):	125x35x25	125x35x25	125x35x25

Product is certified to all the relevant standards.

Please contact our technical department for market specific compliances.

PLEASE NOTE: INFORMATION IN THIS DOCUMENT MAY BE SUBJECT TO CHANGE WITHOUT PRIOR NOTICE

IRE: TEL: +353 1 709 9000
 UK: TEL: 0800 973 220
 AUS: TEL: +61 7 3890 5444
 NZ: TEL: +64 03 668 5285

WEB: ROBUS.COM
 WEB: ROBUS.COM
 WEB: ROBUS.COM.AU
 WEB: ROBUSLED.CO.NZ

LED GROUP EUROPE · UK · AUSTRALIA · NEW ZEALAND · ASIA · MIDDLE EAST · AFRICA

HAWK LED

10W, 14W, 25/35W, IP65

Cone Illuminance Diagram

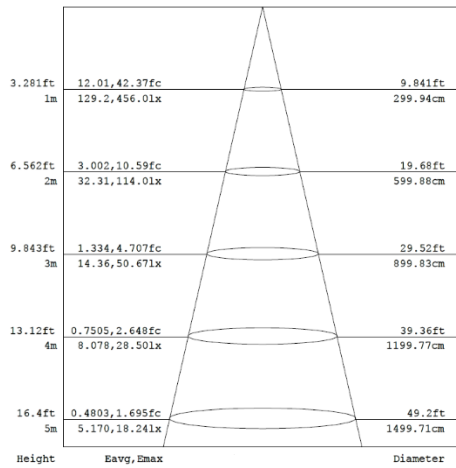
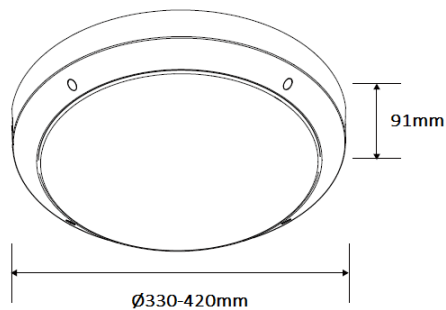


Diagram for RHKM01540-01 in 4000K. Other diagrams available on request

Dimension Diagram



Sensor Data

Time Off Delay:	10s-30min
Illuminance Switching Range (lux):	5-50, Disabled
Sensitivity Range (%):	10, 25, 50, 75, 100
Mounting Height (max):	6m
Detection Zone Diameter (max):	12m

Polar Intensity Diagram

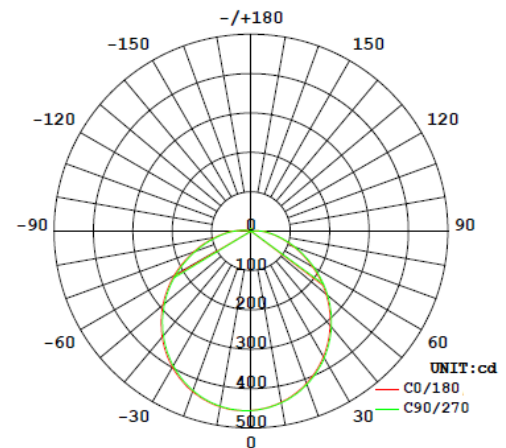


Diagram for RHKM01540-01 in 4000K. Other diagrams available on request

Accessories

RHKMTRIM-04	Black Trim
RHKMTRIM-24	Grey Trim
RHKMEY-01	White Eyelid Trim
RHKMEY-04	Black Eyelid Trim
RHKMEY-24	Grey Eyelid Trim
RHKMCD-04	Black Cross Grid Trim
RHKMCD-24	Grey Cross Grid Trim
RHKMCD-01	Medium Extension Collar, White

* Accessories are only for 330mm diameter versions